

# VE3 1800 RPM *ELECTRIC VIBRATOR*

*VE Electric vibrator line was developed for the most demanding industrial applications.*

*State of the art design and construction to withstand serious operating loads.*

*Housing in ductile cast iron of high mechanical strength.*



## PERFORMANCE DATA

MODEL	FORCE OUTPUT	UNBALANCE	HP	AMP DRAW 460 V	AMP DRAW 230 V	STARTUP CURRENT MULTIPLIER	FRAME	WEIGHT
	lbs	in -lbs	h.p.	Amps	Amps			lbs
VE3/18/150	174	1.54	0.14	0.21	0.42	1.9	1	12
VE3/18/450	448	5.1	0.26	0.37	0.74	3.2	2	24
VE3/18/900	908	10	0.50	0.66	1.32	3.5	3	51
VE3/18/1200	1280	15	0.54	0.71	1.42	3.3	3	55
VE3/18/1500	1522	17	0.70	0.90	1.8	4.3	4-A	79
VE3/18/2200	2246	25	0.91	1.15	2.3	4.7	4-B	87
VE3/18/3500	3522	38	1.47	1.5	3.0	4.4	15-A	106
VE3/18/4600	4598	50	1.68	2.0	4.0	4.7	15-B	119
VE3/18/6000	5984	65	2.41	3.1	6.2	6.1	20	172
VE3/18/8000	8342	91	3.28	4.7	9.4	6.3	30	240
VE3/18/10000	10932	119	4.42	4.9	9.8	4.6	50	304
VE3/18/15000	14487	157	8.04	9.5	19	6.1	70	453
VE3/18/17500	17681	192	10.7	11.5	23	5.6	70-B	515
VE3/18/18000	17681	192	10.7	11.5	23	5.6	120-A	647
VE3/18/20000	19769	215	11.4	12	24	5.3	120-B	680
VE3/18/25000	24160	263	14.7	16	32	6.7	120-C	814

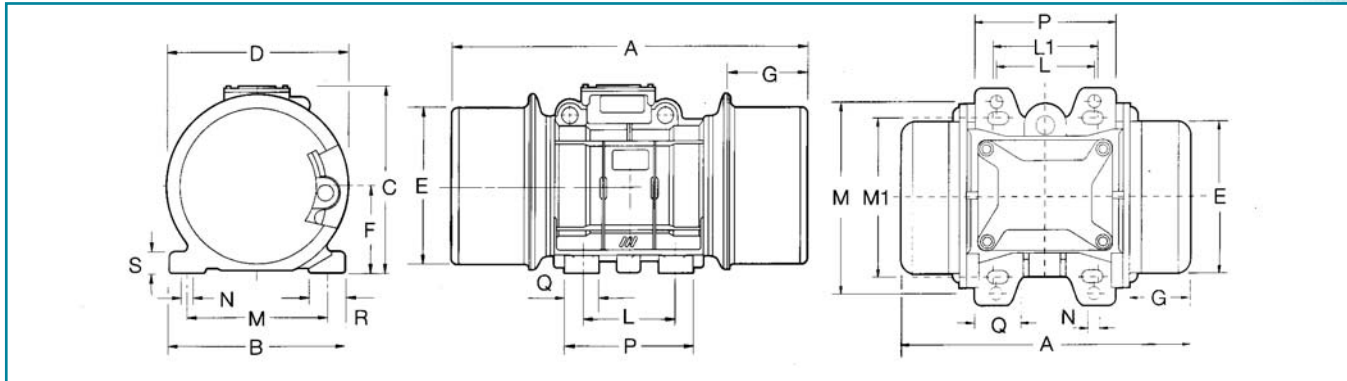
## TYPICAL APPLICATIONS



**BIN ACTIVATORS  
VIBRATORY SCREENS  
BULK BAG UNLOADERS**



# D I M E N S I O N S



## DIMENSIONS

MODEL	A	B	C	D	E	F	G	L	L1	M	M1	N	P	Q	R	S	BOLT HOLE NBR
VE3/18/150	9.06	5.91	5.71	5.12	4.13	2.36	2.17	2.76	2.44-2.91	5.12	4.17	0.35	3.9	1.18	1.38	0.39	4
VE3/18/450	11.73	6.54	7.28	6.30	5.12	2.95	2.72	3.54	3.54	4.92	5.51	0.51	4.72	1.18	1.57	0.47	4
VE3/18/900	13.78	7.48	8.07	7.36	5.94	3.35	3.35	4.13		5.51		0.51	5.35	1.30	1.57	0.63	4
VE3/18/1200	13.78	7.48	8.07	7.36	5.94	3.35	3.35	4.13		5.51		0.51	5.35	1.30	1.57	0.63	4
VE3/18/1500	13.98	8.27	9.29	8.50	7.13	3.98	2.80	4.72		6.70		0.67	6.30	1.57	1.69	0.79	4
VE3/18/2200	16.34	8.27	9.29	8.50	7.13	3.98	3.98	4.72		6.70		0.67	6.30	1.57	1.69	0.79	4
VE3/18/3500	17.56	9.65	10.24	10.16	8.62	4.80	3.39	5.51		7.48		0.67	7.48	1.57	1.77	0.98	4
VE3/18/4600	19.21	9.65	10.24	10.16	8.62	4.80	4.21	5.51		7.48		0.67	7.48	1.57	1.77	0.98	4
VE3/18/6000	20.47	10.83	12.20	10.94	9.41	5.20	4.17	6.10		8.86		0.83	8.07	1.97	2.17	1.18	4
VE3/18/8000	21.26	12.80	13.54	12.80	11.14	6.18	4.02	6.14		10.08		0.91	8.66	2.17	2.36	1.38	4
VE3/18/10000	23.23	13.39	14.72	13.98	12.17	6.77	4.17	7.09		11.02		0.98	9.45	2.36	2.56	1.57	4
VE3/18/15000	25.12	15.35	16.26	15.67	13.66	7.52	4.13	7.87		12.6		1.10	11.02	2.95	3.07	1.77	4
VE3/18/17500	33.31	15.35	16.26	15.67	13.66	7.52	7.95	7.87		12.6		1.10	11.02	2.95	3.07	1.77	4
VE3/18/18000	27.80	17.91	17.64	18.11	16.18	8.86	4.65	10.24		14.76		1.26	13.39	3.39	3.27	1.97	6
VE3/18/20000	27.8	17.91	17.64	18.11	16.18	8.86	4.65	10.24		14.76		1.26	13.39	3.39	3.27	1.97	6
VE3/18/25000	29.06	17.91	17.64	18.11	16.18	8.86	4.65	10.24		14.76		1.26	13.39	3.39	3.27	1.97	6



  
**Chicago Vibrator Products**  
*Flow and Compaction*

**Division of CVP Group**  
**800-842-7284 (P)**  
**866-247-7538 (F)**  
**Solutions@ChiVib.com**  
**www.ChicagoVibrator.com**